



GAMELA

Garderoben-/Werkstatt-/Lagereinrichtungen

Storage Systems

Drive In

The Strength of Simplicity

GAMELA

Garderoben-/Werkstatt-/Lagereinrichtungen

We design, calculate and manufacture storage systems, going from the most basic to the most sophisticated and advanced solution.

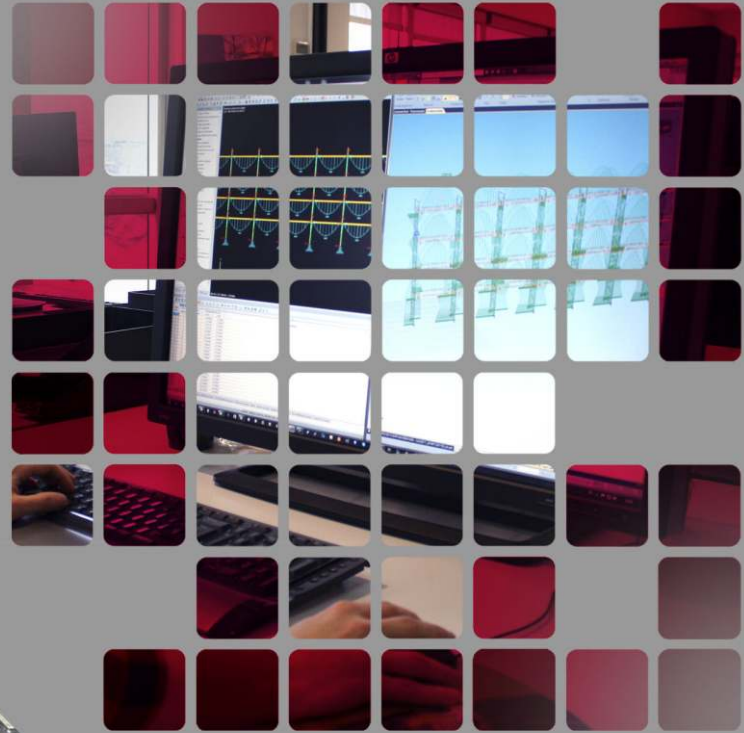
We guarantee the quality of our processes creating reliable products, to satisfy our customers storage needs.



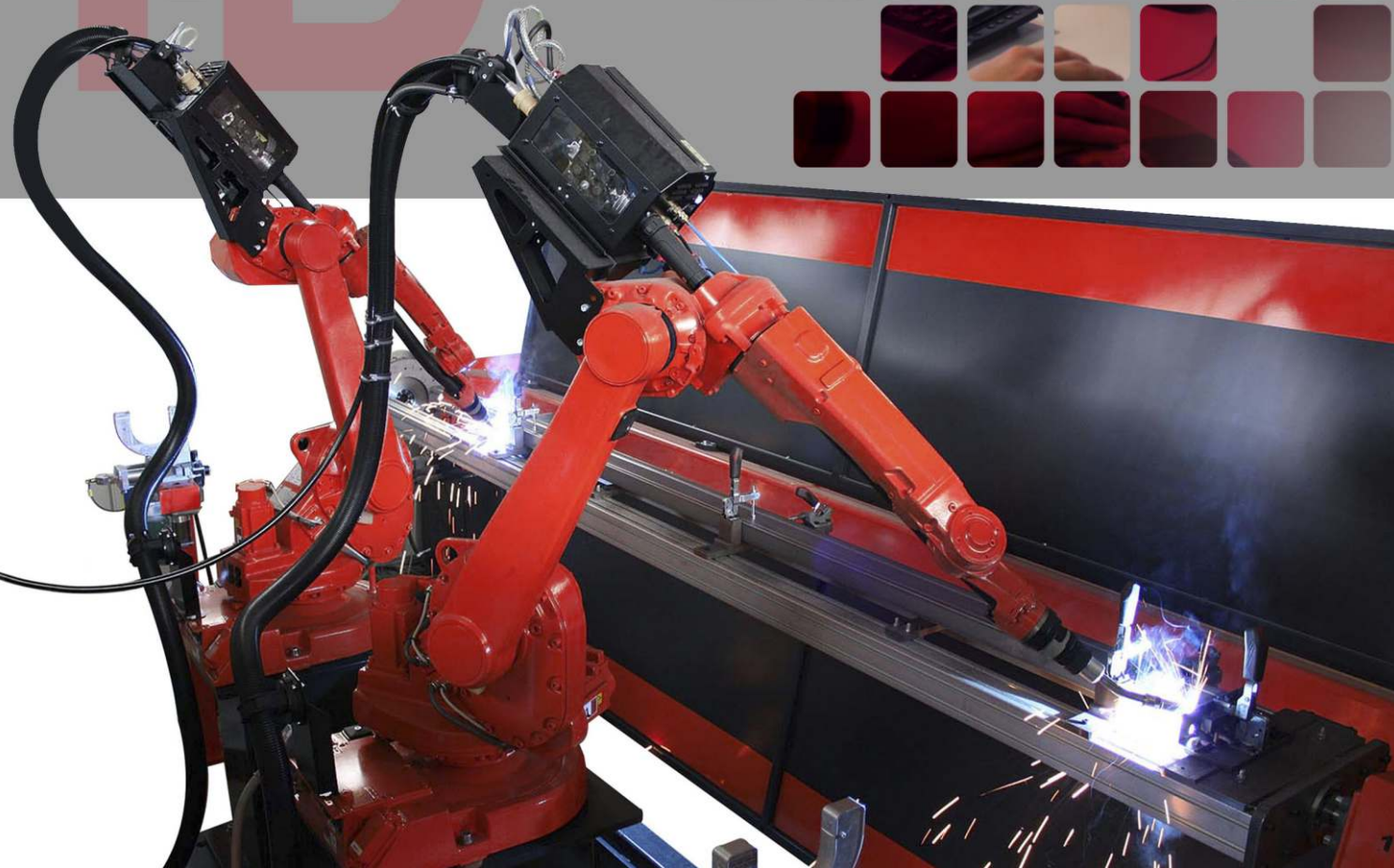
Esnova Head Office and Manufacturing Plant. 46.600 m²

INNOVATION

Innovation to develop new products and optimizing the existing ones.



LD



EXPERIENCE

We have a team with extensive experience in the logistics and handling industry.



WE EXPORT TO MORE
THAN 30 COUNTRIES

TECHNOLOGY

Our machinery at your disposal.
We are equipped with the most flexible and advanced production systems.



We count on our own laboratory to test the different components of each system, carrying out tests to check load capacities, resistance, buckling, etc.

QUALITY

Quality as a priority standard is established on each and every process Esnova develops.

The group invests in quality and safety and also promotes environmental respect.

- Quality management system certification (ISO 9001).
- Environmental management system certification (ISO 14001).
- Occupational health and safety management system certification (OHSAS 18001).
- CE marking certification acc. UNE EN 1090.
- Member of the European Federation of Material Handling FEM/AEM.





Drive In

It is the ideal system to store loads with the same reference in depth.

- Greater storage density.
- Up to 85% of the available space can be used.
- It can be adapted to different space requirements as well as to goods' measures, weights and volumes.



COMPACT DRIVE-IN STORAGE SYSTEM

This industrial shelving system is designed in order to use up to 85% of the available storage area.

It is a system capable of storing a great deal of loads with the same reference.

Its configuration allows us to maximise warehouse's height and space, thanks to working aisles' reduction. On the one hand, this system penalised direct access to each pallet. On the other hand, it increases the usable area.



It consists of series of lanes by which fork-lifts enter so as to place the pallets on the rails. Those rails can be located at different heights, depending on customer's storage necessities.

This storage system is characterised by its high **density**, something that boosts productivity by the optimisation of the available resources.



Esnova offers two types of compact systems:

Drive In: Its configuration only counts with one loading entry.

Drive Through: It counts with one entry by each end.

Both options support heavy loads, offering each one of them **great resistance and safety**.

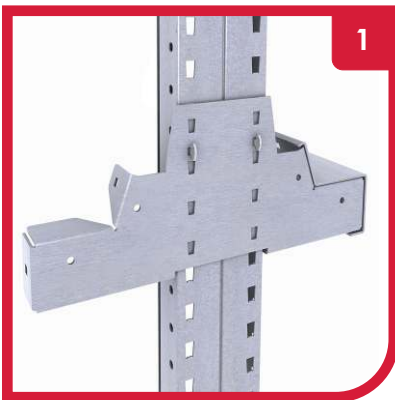
Each lane has floor guide rails that facilitates the entrance and the exit of forklifts, avoiding collisions or accidental impacts that could damage the installation.

This kind of storage system is appropriate for non-perishable goods, as well as for storing loads at low temperatures.



SYSTEM COMPONENTS

The structure of a Drive-In storage system includes the following elements:



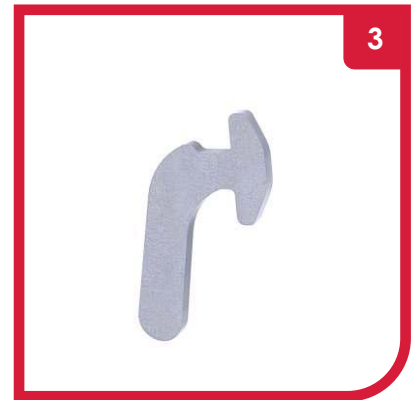
ENTRANCE STAMPED BRACKET

Standard finishing
Pregalvanized



INTERIOR STAMPED BRACKET

Standard finishing
Pregalvanized



SAFETY CLIP

Standard finishing
Pregalvanized



4

UPPER BEAM FOR CONNECTOR DUO

Standard finishing

Orange 2004

DV PALLET RAIL

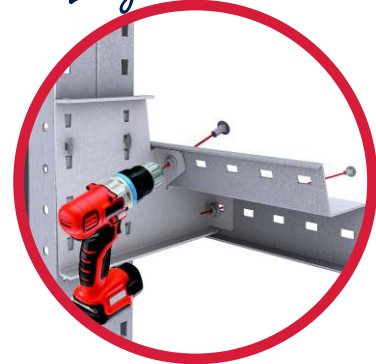
Standard finishing

Pregalvanized



5

Easy assembly



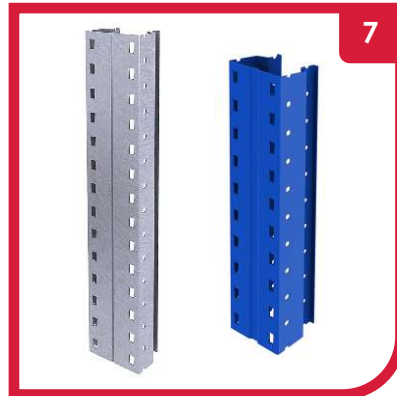
6

UPPER BASE

Standard finishing

Orange 2004

Blue 5019



7

UPRIGHT

Standard finishing

Pregalvanized

Blue 5019

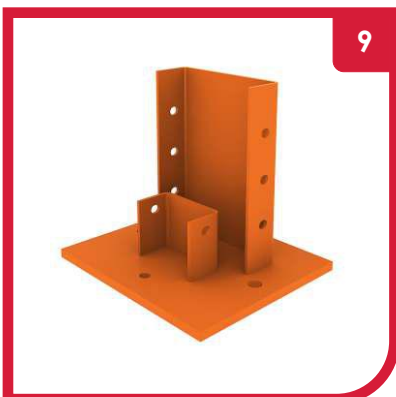


8

DIAGONAL & HORIZONTAL

Standard finishing

Pregalvanized



9

DV BASE

Standard finishing

Orange 2004

Blue 5019



10

DV SHIM PLATES

Standard finishing

Pregalvanized



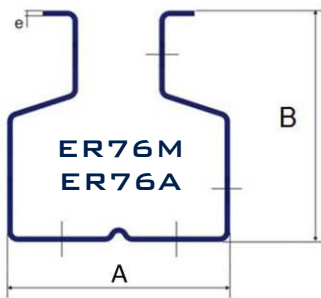
11

FLOOR GUIDE RAILS

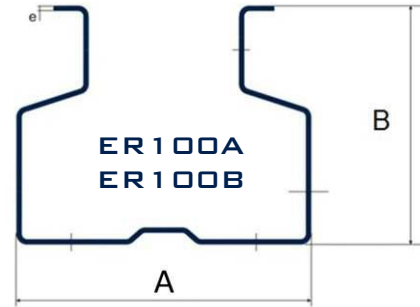
Standard finishing

Orange 2004

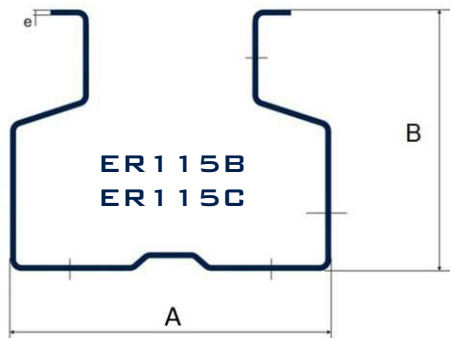
UPRIGHTS



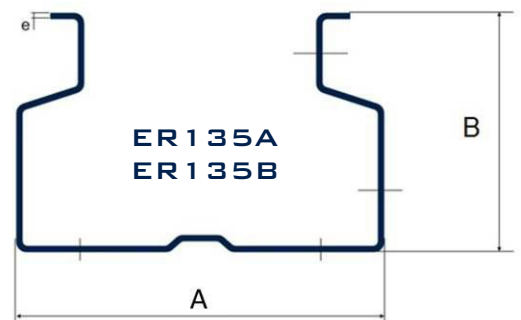
Description	Dimensions (mm) (A x B x e)
ER76M15	76,2 x 63,2 x 1,50
ER76M18	76,2 x 63,2 x 1,80
ER76M23	76,2 x 63,2 x 2,30
ER76A15	76,2 x 79 x 1,50
ER76A18	76,2 x 79 x 1,80
ER76A20	76,2 x 79 x 2,00
ER76A23	76,2 x 79 x 2,30
ER76A25	76,2 x 79 x 2,50



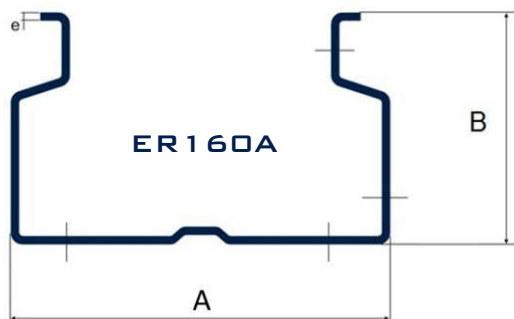
Description	Dimensions (mm) (A x B x e)	Description	Dimensions (mm) (A x B x e)
ER100A18	100 x 81,3 x 1,80	ER100B18	100 x 105,3 x 1,80
ER100A20	100 x 81,3 x 2,00	ER100B20	100 x 105,3 x 2,00
ER100A23	100 x 81,3 x 2,30	ER100B23	100 x 105,3 x 2,30
ER100A25	100 x 81,3 x 2,50	ER100B25	100 x 105,3 x 2,50
		ER100B30	100 x 105,3 x 3,00



Description	Dimensions (mm) (A x B x e)
ER115B18	115 x 97,8 x 1,80
ER115B20	115 x 97,8 x 2,00
ER115B23	115 x 97,8 x 2,30
ER115B25	115 x 97,8 x 2,50
ER115B30	115 x 97,8 x 3,00
ER115C20	115 x 126,3 x 2,00
ER115C25	115 x 126,3 x 2,50
ER115C30	115 x 126,3 x 3,00
ER115C35	115 x 126,3 x 3,50



Description	Dimensions (mm) (A x B x e)
ER135A20	135 x 87,8 x 2,00
ER135A25	135 x 87,8 x 2,50
ER135A30	135 x 87,8 x 3,00
ER135A35	135 x 87,8 x 3,50
ER135B20	135 x 109 x 2,00
ER135B25	135 x 109 x 2,50
ER135B30	135 x 109 x 3,00
ER135B35	135 x 109 x 3,50



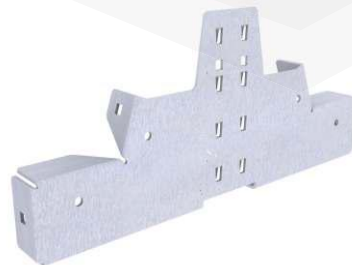
Description	Dimensions (mm) (A x B x e)
ER160A20	160 x 97,8 x 2,00
ER160A25	160 x 97,8 x 2,50
ER160A30	160 x 97,8 x 3,00
ER160A35	160 x 97,8 x 3,50

BRACKETS

ENTRANCE STAMPED BRACKET (DVE)



DVEI (LEFT)



DVEC (CENTRAL)

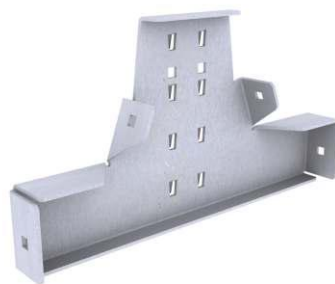


DVED (RIGHT)

INTERIOR STAMPED BRACKET (DVI)



DVII (LEFT)



DVIC (CENTRAL)



DVID (RIGHT)

Standard finishing
Pregalvanized

WELDED BRACKET (DVS)



DVSI (LEFT)



DVSC (CENTRAL)



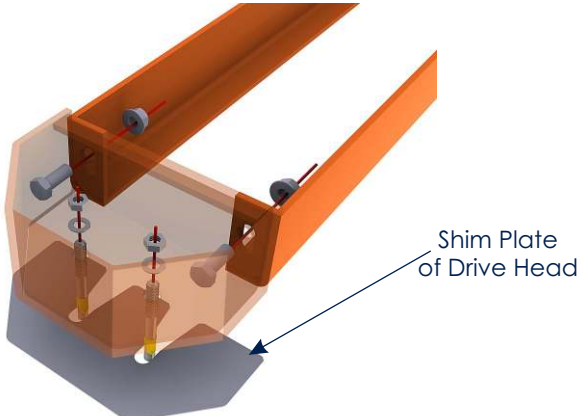
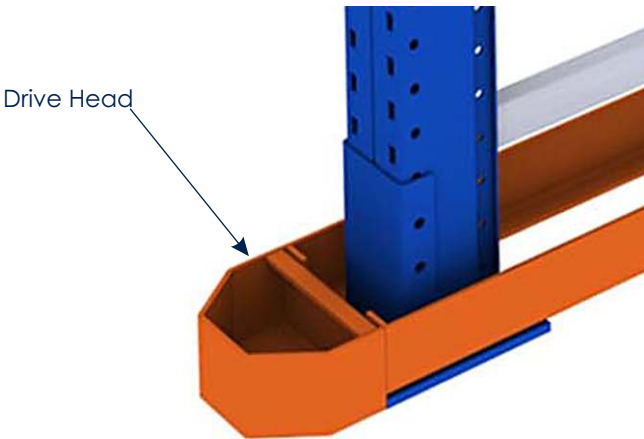
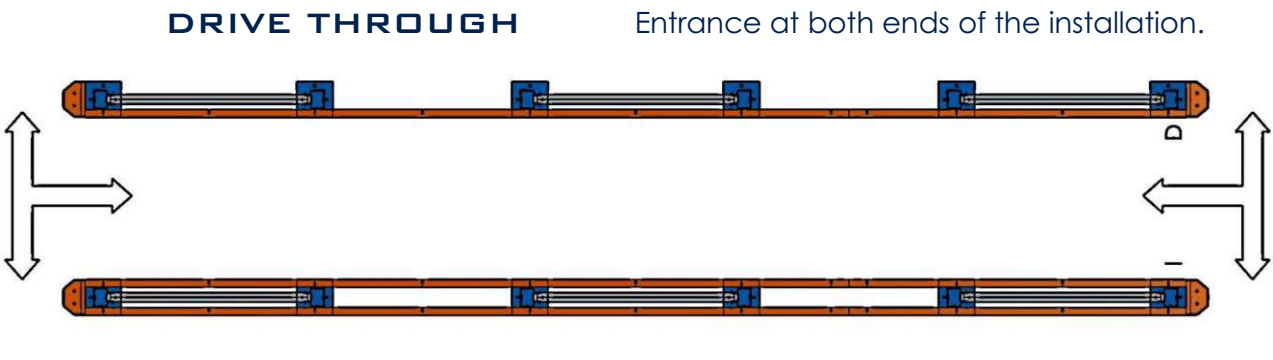
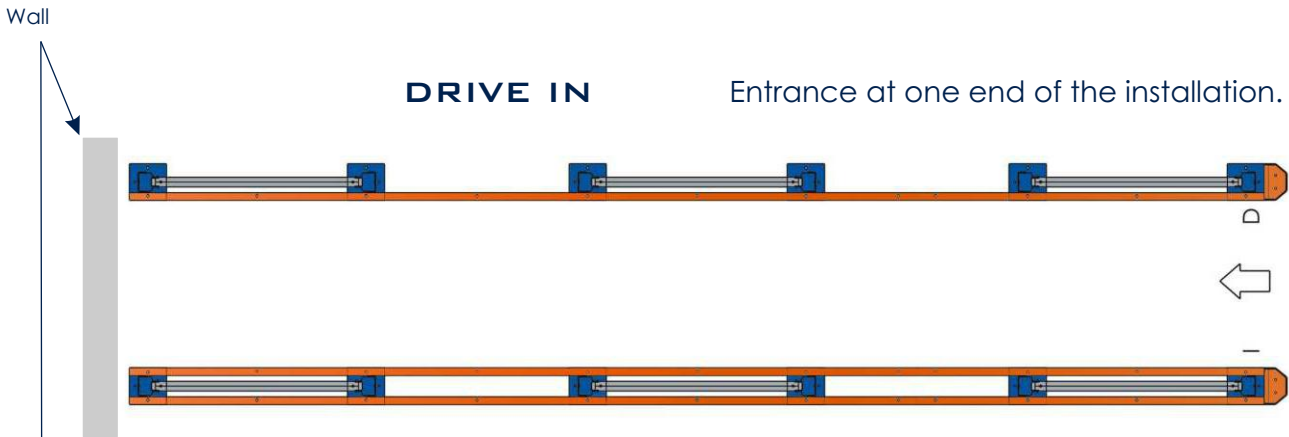
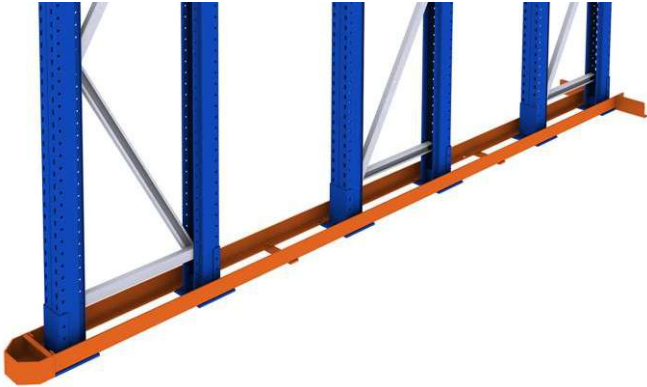
DVSD (RIGHT)

Standard finishing
Pregalvanized

FLOOR GUIDE RAILS

They are a forklift guidance system that allows:

- Achieve high productivity levels.
- Reduce potential damage to shelves, products, or equipment.
- Increase safety and operator efficiency, concentrating their attention on the cargo handling.
- Work in lanes with more than six meters depth and height.

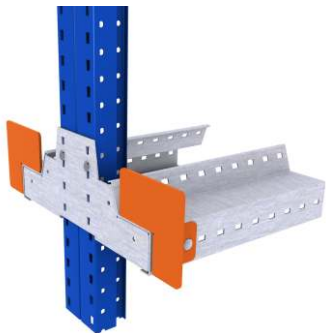


ACCESSORIES

In the warehouse there is a high risk of accidental damages due to impacts on the structure, most caused by forklifts. It is important to protect the bottom of posts and frames.



**POST
PROTECTOR**



LOAD LEVEL PALLET STOPPER

This element prevents the pallets from falling at the end of the aisle in a single entry type of drive-in.

It is considered a warning element, trying as much as possible to avoid the collision of the pallets with the stopper.



FLOOR LEVEL PALLET STOPPER

This element works as an aisle end reference for the floor level in a single entry type of drive-in. It also serves as protection in case of vertical bracing in the aisle.

It is considered a warning element, trying as much as possible to avoid the collision of the pallets with the stopper.



PALLET ENTRY GUIDE

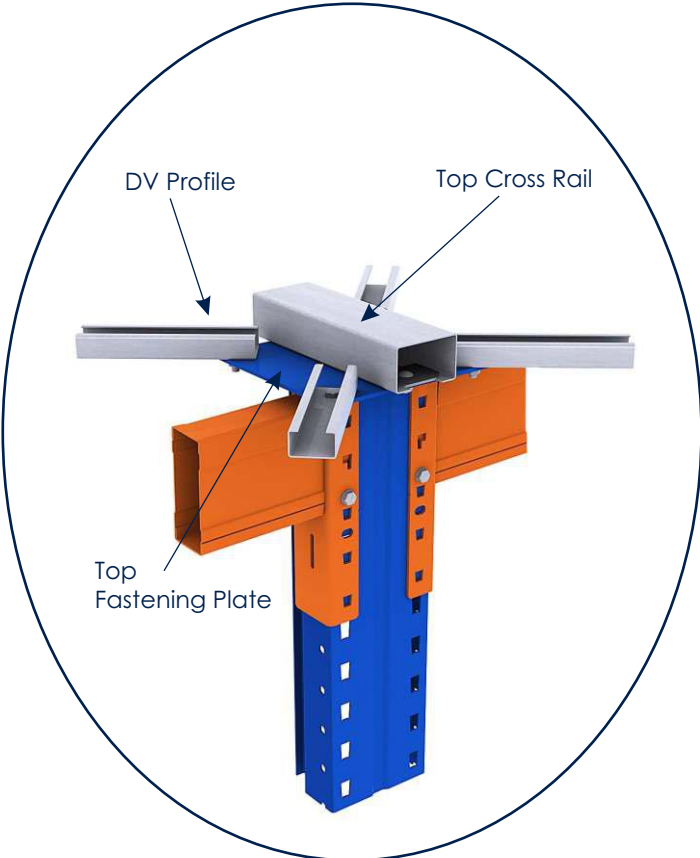
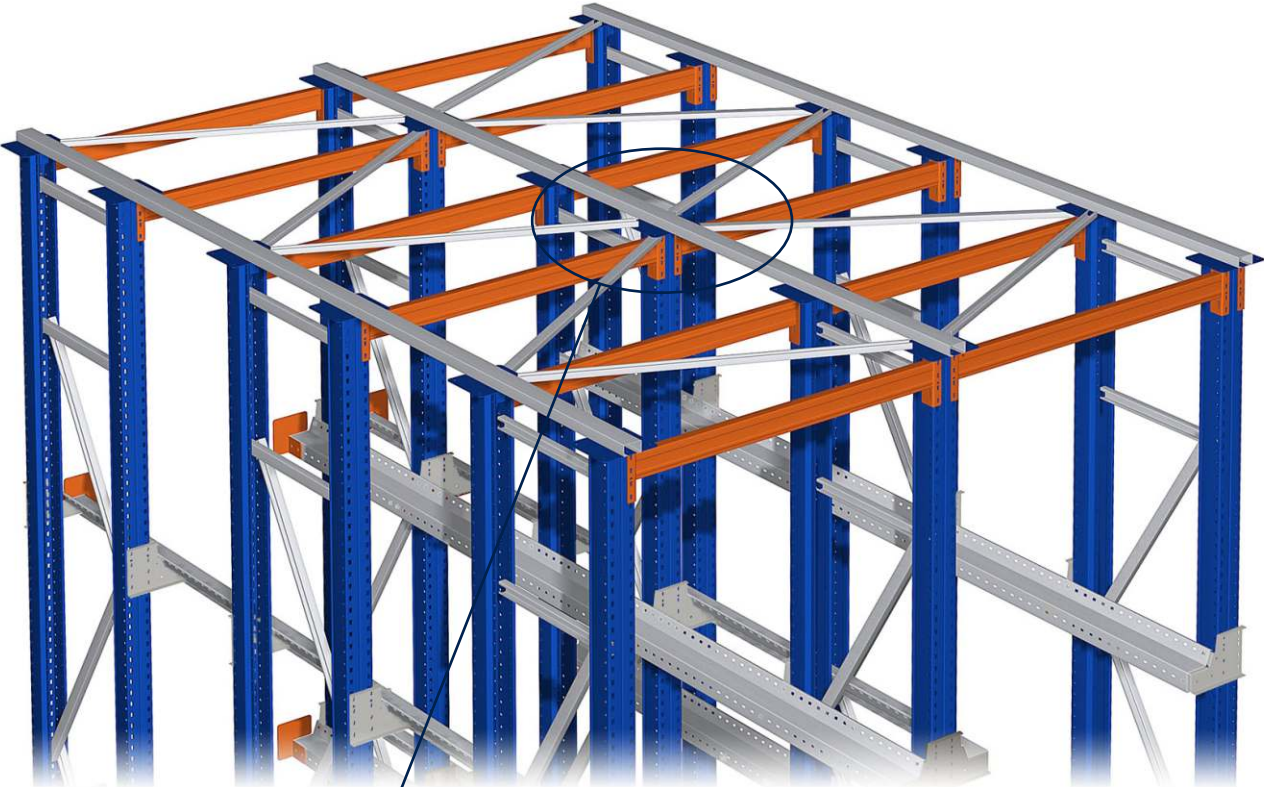
This element makes easier the pallet entry and guidance on the aisle, avoiding falls or damage to the goods.



AISLE SPACER

It is placed on top of each aisle to maintain and secure the same distance between racks.

HORIZONTAL CROSS - BRACING



The top horizontal cross-bracing at the Drive-in system is located on top of the installation above the beams.

A cross-bracing set takes two aisles consisting of zig-zag distributed DV Profiles.

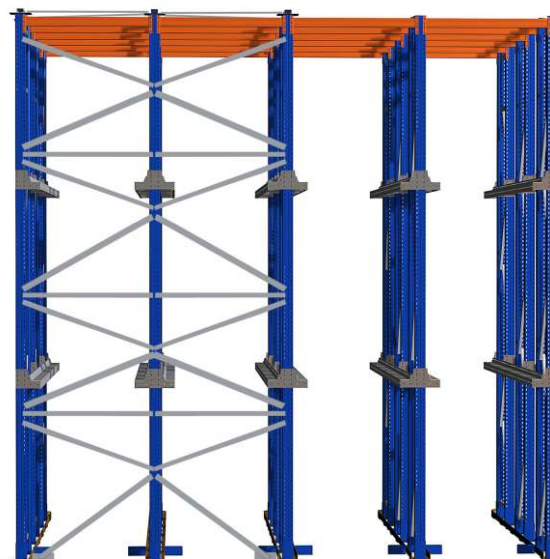


Bracing profile DV

VERTICAL BRACING

It is a cross bracing layout that works as a stabilizing element controlling the uprights displacement and increasing the installation rigidity and stability.

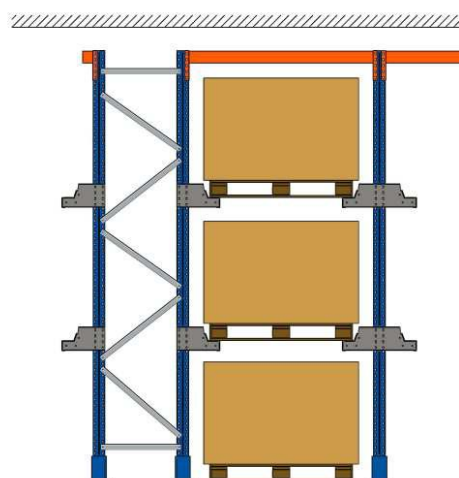
It is recommended that the vertical bracing is protected from potential impacts from the pallets due to the use of materials handling equipment by placing load level pallet stops and floor level pallet stops.



RIGIDITY TOWER

It is a cross bracing layout located along an entire aisle over its entire length. Same as vertical bracing serves to increase the rigidity and stability of the installation.

Top Horizontal cross bracing will always be placed on the upper horizontal rigidity aisle.



Rigidity Tower



GAWELA

Garderoben-/Werkstatt-/Lagereinrichtungen



Ask for our product catalogs!

Light and Medium Loads:

Manual Rack
Riveto Shelving System
Slotted Angle Shelving

Large Loads:

Pallet Racking
Drive In
Shuttle Cart
Cantilever
Rack Clad Building
Robotized Systems

Handling:

Containers

Safety

Modular Guards

Warehouse Management Software:

How to organize a warehouse?

This software specially designed to the warehouse management is the perfect IT tool to have a logistic control of your storage space.



Management System
ISO 9001:2008
ISO 14001:2004
OHSAS 18001:2007
EN 1090

www.tuv.com ID: 9105076955



GAWELA GmbH
Konstanzerstrass 14
CH-8274 Tägerwilen
071 667 00 00
E- mail: info@gawela.ch